

Bourdon tube pressure gauge Test gauge series, class 0.6 Model 312.20

WIKA data sheet PM 03.01



for further approvals
see page 2

Applications

- For gaseous and liquid media that are not highly viscous or crystallising and will not attack copper alloy parts
- Precision measurement in laboratories
- High-accuracy pressure measurement
- Testing of industrial type pressure gauges

Special features

- Knife edge pointer for optimal accuracy of reading
- Precise movement with wear parts of argentan
- Scale ranges up to 0 ... 600 bar



Test gauge series model 312.20

Description

Design

EN 837-1

Nominal size in mm

160

Accuracy class

0.6

Scale ranges

0 ... 0.6 to 0 ... 600 bar
or all other equivalent vacuum or combined pressure and vacuum ranges

Adjustment medium

≤ 25 bar: Gas
> 25 bar: Liquid

Pressure limitation

Steady: Full scale value
Fluctuating: 0.9 x full scale value
Short time: 1.3 x full scale value

Permissible temperature

Ambient: -40 ... +60 °C
Medium: +80 °C maximum

Temperature effect

When the temperature of the measuring system deviates from the reference temperature (+20 °C):
max. ±0.4 %/10 K of full scale value

Ingress protection

IP54 per IEC/EN 60529

Standard version

Process connection

Cu-alloy,
lower mount (LM) or lower back mount (LBM),
G ½ B (male), 22 mm flats

Pressure element

< 100 bar: Cu-alloy, C-type
≥ 100 bar: Stainless steel 316L, helical type

Movement

Cu-alloy, wear parts argentan

Dial

Aluminium, white, black lettering

Pointer

Knife edge pointer, aluminium, black

Case

Stainless steel

Window

Instrument glass

Bezel ring

Cam ring (bayonet type), stainless steel

Options

- Other process connection
- Sealings (model 910.17, see data sheet AC 09.08)
- Liquid filling (model 333.50, data sheet PM 03.06)
- Increased medium temperature to 100 °C with special soft solder
- Increased medium temperature to 200 °C (data sheet PM 03.06)
- Panel or surface mounting flange, stainless steel
- Triangular bezel, polished stainless steel, with clamp
- Higher indication accuracy: Class 0.25 per EN 837 or grade 3A per ASME B40.1 for scale ranges ≤ 400 bar
- Mirror band scale
- Zero point adjustable from outside (adjustable dial)
- Adjustment medium gas from scale ranges ≥ 25 bar
- Transport case

EU conformity

Pressure equipment directive

PS > 200 bar, module A, pressure accessory

Approvals

- **EAC (option)**, import certificate, customs union Russia/Belarus/Kazakhstan
- **GOST (option)**, metrology/measurement technology, Russia
- **CRN**, safety (e.g. electr. safety, overpressure, ...), Canada

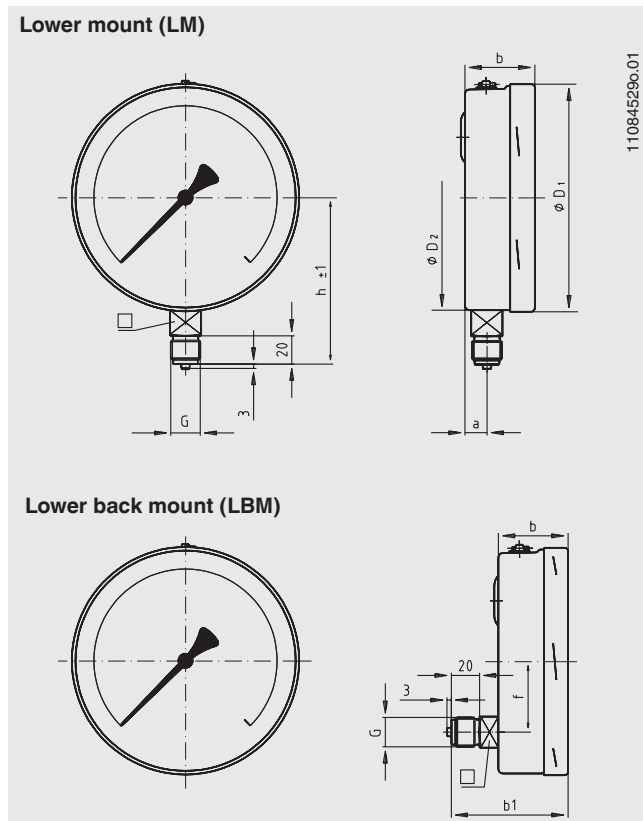
Certificates (option)

- 2.2 test report per EN 10204 (e.g. state-of-the-art manufacturing, material proof, indication accuracy)
- 3.1 inspection certificate per EN 10204 (e.g. material proof wetted parts metal component, indication accuracy)
- DKD/DAkkS certified accuracy

Approvals and certificates, see website

Dimensions in mm

Standard version



NS	Dimensions in mm									Weight in kg
	a	b	b ₁	D ₁	D ₂	f	G	h ±1	SW	
160	15.5 1)	49.5 1)	83 1)	161	159	50	G ½ B	118	22	1.10

Process connection per EN 837-1 / 7.3
 1) Plus 16 mm with scale ranges ≤ 4 bar and ≥ 100 bar

Ordering information

Model / Nominal size / Scale range / Process connection / Connection location / Options

© 06/2006 WIKA Alexander Wiegand SE & Co. KG, all rights reserved.
 The specifications given in this document represent the state of engineering at the time of publishing.
 We reserve the right to make modifications to the specifications and materials.



WIKAL
WIKAL Alexander Wiegand SE & Co. KG
 Alexander-Wiegand-Straße 30
 63911 Klingenberg/Germany
 Tel. +49 9372 132-0
 Fax +49 9372 132-406
 info@wika.de
 www.wika.de